

MODEL :		TYPE
PROJECT :		
PREPARED BY :	DATE :	

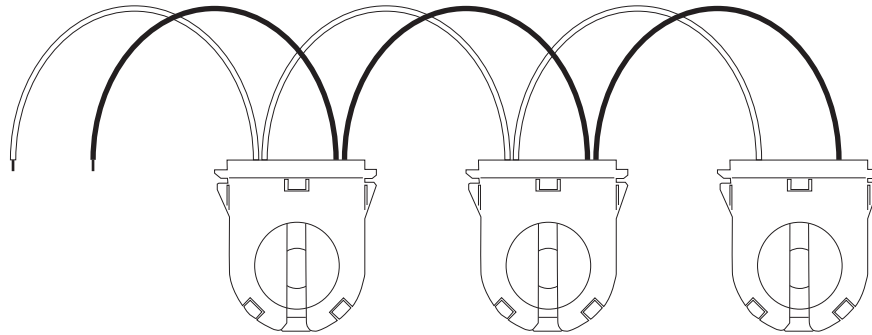
SERIES SPECIFICATIONS

FLED T KIT 3L

(3) R-LH-509134, with 18" 18G leads



WIRING DIAGRAM



LAMPHOLDER SPECIFICATIONS

Rated Voltage
600V

Rated Wattage
660W

Lamp Base
G13

Lamp Contacts
Bi-pin

Style
Small Profile

Contact Type
Lamp-Lock

Mounting Type
Snap-in with Post Mounted

Termination
Quickwire 18AWG solid or stranded
Tinned

Color
White

WIRE SPECIFICATIONS

Lead Length
18"

Gauge
18AWG



APPLICATION AND PERFORMANCE SPECIFICATION INFORMATION IS SUBJECT TO CHANGE WITHOUT NOTIFICATION

660 NW PEACOCK BLVD. | PORT ST. LUCIE, FL 34986 | TEL: 772.879.0178 | TAMLITEUSA.COM