



F B 2 5 9 T 8 M V E	
Ballast Type	Electronic
Starting Method	Instant Start
Lamp Connection	Parallel
Input Voltage	120 ~ 277
Input Frequency	50 / 60Hz
Sound Rating	A
Remote Mounting	18 ft. Maximum

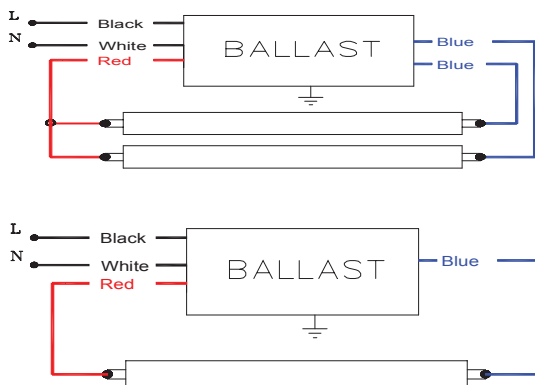
Electrical Specifications

Lamp Type	No. of Lamps	Rated Lamp Watts	Min. Start Temp (F/C)	Input Current (Amps) @120/277V	Input Power (Watts)	Ballast Factor	Max. THD %	Power Factor	Max. L.C.C.F.	B.E.F.
F96T8	1	59	32 / 0	0.58 / 0.25	69	1.02	10	0.99	1.70	1.47
F96T8	2	59	32 / 0	0.92 / 0.40	110	0.88	10	0.99	1.70	0.81

Regulatory Conformance

- Meets ANSI Standard C82.11
- Meets ANSI Standard C62.41
- Meets FCC Part 18 Class A for EMI & RFI (Non-Consumer Limits)
- No PCB's
- cULus Listed (Class P, Type 1 Outdoor, Type HL)

Wiring Diagram



Wire	in.	cm.
Black	17	43
White	17	43
Blue	46	117
Red	70	178

Product Dimensions

Overall (L)	Width (W)	Height (H)	Mounting (M)
9.50 "	1.72 "	1.18 "	8.90 "
9 1/2 "	1 23/32 "	1 3/16 "	8 7/8 "
24.10 cm	4.38 cm	3.00 cm	22.60 cm

Revised on 1/7/2010

Data published here are based on the result of the test under a controlled environment. Actual performance can vary depending on operating conditions. Specifications are subject to change without notice.