



PART NUMBER:	DATE:
PROJECT #:	TYPE:
PREPARED BY:	

PART NUMBER:

## FLED\*MR16830

### LED MR16 DIMMABLE

Fusions LED MR16 lamps are designed to perform and provide accented and focused light. Fusions advanced lens design is built to provide exceptional lumen output, extended life and excellent energy savings.



KELVIN (CCT):

**3000K** 830

#### FEATURES & BENEFITS:

- Long life equates to lower maintenance costs
- Targeted and controlled light for better design
- Contains no mercury or lead
- 38 degree beam angle
- GU5.3 base
- 5 year warranty

#### AVAILABLE TYPES:

- 5 Watt: FLED5MR16830 830
- 6.5 Watt: FLED6.5MR16830 830

#### APPLICATIONS:

- Offices – ambient lighting, task lighting, etc
- Retail Stores – ambient lighting, showcase lighting, etc
- Restaurants – Accent lighting, ambient lighting, atmosphere creations, etc.
- Hotels – Accent lighting, ambient lighting, etc
- Recreational Facilities – Accent lighting, ambient lighting, etc

#### APPROVALS



#### ORDERING INFORMATION:

PART NUMBER	IMS CODE	DESCRIPTION	CASE QTY	CASE DIMENSIONS	CASE WEIGHT
FLED5MR16830	0327-6687	5W MR16 LED DIM 830	120	44 x 29 x 20 cm - 17.3 x 11.4 x 7.8 in	6.61 kg - 14.5 lbs
FLED6.5MR16830	0327-6690	6.5W MR16 LED DIM 830	120	44 x 29 x 20 cm - 17.3 x 11.4 x 7.8 in	7.75 kg - 17.08 lbs

#### OPERATING SPECIFICATIONS:

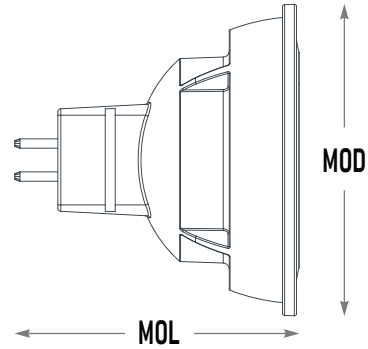
PART NUMBER	LAMP WATTS	EQUIVALENT WATTAGE	INITIAL LUMENS	EFFICACY	RATED LIFE (HOURS)	CCT	CRI	DIMMABLE	WARRANTY
FLED5MR16830	5W	35W	350 lm	70 lm/W	25,000 hrs	3000K	80+	YES	5
FLED6.5MR16830	6.5W	50W	500 lm	77 lm/W	25,000 hrs	3000K	80+	YES	5

ELECTRICAL SPECIFICATIONS:

PART NUMBER	LAMP WATTS	LAMP OPERATING VOLTAGE	LAMP OPERATING CURRENT	OPERATING FREQUENCY	POWER FACTOR	DRIVER
FLED5MR16830	5	12V	505mA	60Hz	>0.7	Internal
FLED6.5MR16830	6.5	12V	605mA	60Hz	>0.7	Internal

PHYSICAL SPECIFICATIONS:

PART NUMBER	LAMP STYLE	BASE	BULB FINISH
FLED5MR16830	MR16	GU5.3	Clear
FLED6.5MR16830	MR16	GU5.3	Clear



MAX LENGTH (MOL)	MAX OVERALL DIA (MOD)	WEIGHT oz/lbs	OPERATING TEMP.	STORAGE TEMP.	LED TYPE	BEAM ANGLE	NUMBER OF LEDS
49 mm - 1.9"	50.7 mm - 1.99"	1.112oz - 0.0695lbs	-20° - 45° F	-40° - 85° F	Seoul	38°	5
49 mm - 1.9"	50.7 mm - 1.99"	1.448oz - 0.0905lbs	-20° - 45° F	-40° - 85° F	Seoul	38°	8

